

VX 7749/160-4 45 Care

for unrebated heavy-duty doors in health care facilities



Product features

- for unrebated heavy-duty doors in health care facilities
- free accessibility thanks to full frame opening
- for timber, steel or aluminium frames
- for 3D adjustable VARIANT VX receivers
- internal torsion-proof pin
- concealed, maintenance-free axial-radial slide bearings

Technical details

| Attributes | Value |
|----------------------|---------------|
| Load capacity | 100,0 kg |
| Knuckle length | 160,0 mm |
| Knuckle diameter | 22,5 mm |
| Pin diameter | 10,0 mm |
| Cutter diameter | 24,0 mm |
| Collar ring diameter | 30,0 mm |
| Material thickness | 4,0 mm |
| Opening angle | 180° |
| Screws | 6,0 x 50,0 mm |

Quality marks



Certification CE

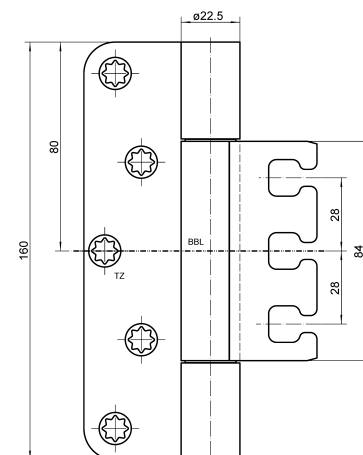


Certification IFT

Classification key

2 7 3 1^{*1} 1 4 0 10

*1 Test evidence for functional doors to be achieved with full door sets and assemblies.



VARIANT VX - VX 7749/160-4 45 Care

Note

The load capacity mentioned above refers to two hinges per door leaf (1 x 2 m). Also the load capacities of the respective combined receiver have to be taken into consideration. For detailed information please look at the chapter "technical information".

Furthermore, the different door thicknesses of 40 mm, 45 mm, 50 mm, 65 mm and 70 mm have to be taken into account.

Please indicate exact hinge type when ordering.

Also available with security pin (MSTS).

Suitable for

Universal milling frame
Template 5 250353 5

Combinations

VX 7531 3D
VX 7532 3D
VX 7535 3D
VX 7511 3D
VX 7512 3D
VX 7521 3D

Function range



fire resistance



smoke resistance

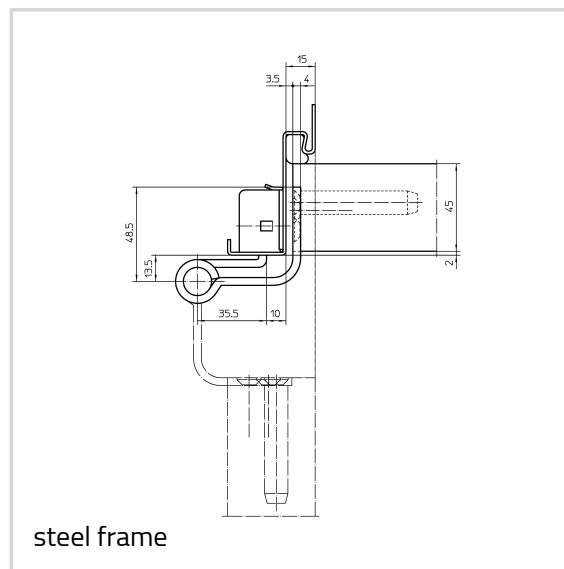


soundproof

Item

| | |
|------------|-----------------------------|
| Finish(es) | Satin Stainless Steel (040) |
| OF-NR. | 040 |
| VPE | pack of 2 |
| DIN | DIN right and left hand |
| Item No. | 5 051723 0 04002 |

front view



VARIANT VX - VX 7749/160-4 45 Care

EAN

4015471118372