

V 1999 Finger Protection

for doors with finger protection function on the hinge side for retrofitting on timber, steel and aluminium frames



Product features

- for rebated and unrebated doors
- for timber, steel or aluminium frames
- easy and rational installation
- door height up to 2110 mm
- door thickness from 39-45 mm
- maintenance-free slide bearings
- opening angle max. 135° (rebated) / max. 90° (unrebated)

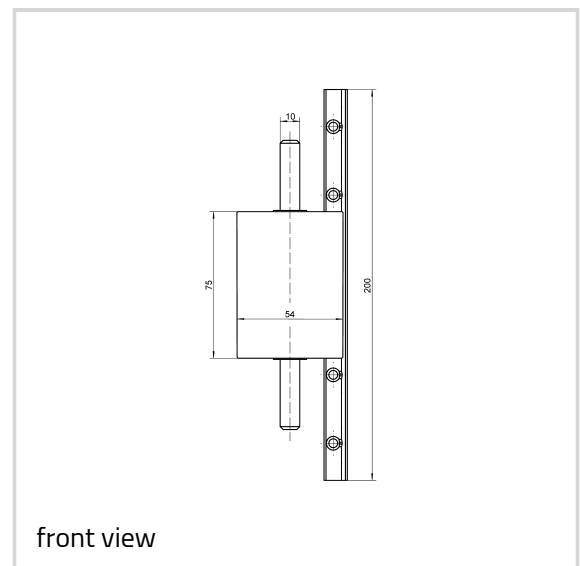
Technical details

Attributes	Value
Load capacity	60,0 kg
Cutter diameter	24,0 mm
Collar ring diameter	30,0 mm

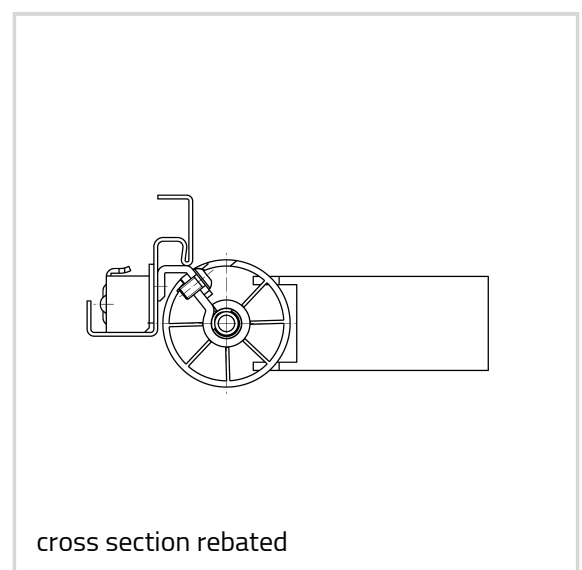
Note

The load capacity mentioned above refers to the use of 2 hinges per door leaf (1 x 2 m), for detailed information please look at the chapter "technical information".

If necessary, the maximum opening angle must be ensured by means of an opening restraint.



front view



cross section rebated

VARIANT V - V 1999 Finger Protection

The system is designed for a door height of max. 2110 mm.
Other door heights are available on request.

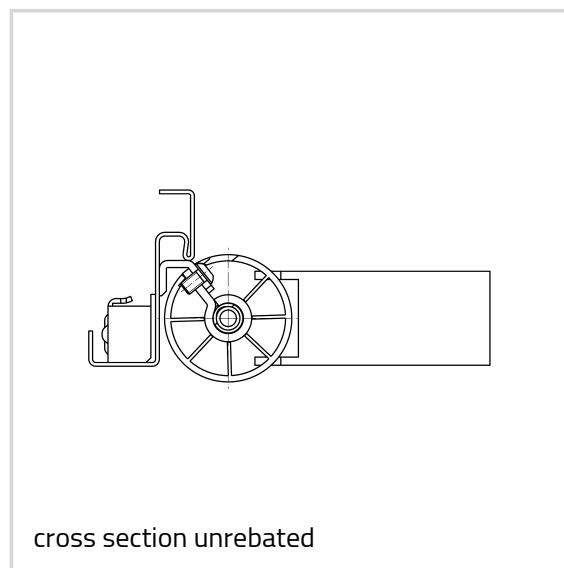
Scope of supply

2 x V 1999 Finger Protection hinges (glossy nickel-plated)
3 x round profile made of wood/wood material
2 x round profile end piece (for rebated and unrebated doors)
1 x brush seal (black)
1 x soft rubber for punching out latch bolts (grey)
1 x bag of accessories with fixing screws for timber frames
1 x bag of accessories with fixing screws for steel and aluminium frames

Suitable for

Serial drilling jig VARIANT V
1999 Finger Protection frame

Serial routing jig VARIANT V
1999 Finger Protection door



Function range



finger protection

Item

Finish(es)	RAL 9010 Pure White (078)
OF-NR.	078
VPE	1 set (2 pieces)
DIN	DIN right and left hand
Item No.	5 011502 0 07890
EAN	4015471125899

Finish(es)	Beech Nature (203)
OF-NR.	203
VPE	1 set (2 pieces)
DIN	DIN right and left hand
Item No.	5 011502 0 20390
EAN	4015471125905

VARIANT V - V 1999 Finger Protection

Finish(es)	coloured (079)
OF-NR.	079
VPE	1 set (2 pieces)
DIN	DIN right and left hand
Item No.	5 011502 0 07990
EAN	4015471125912