

Universal milling frame

as well fitting installation aid for SIMONSWERK templates



Note

Fitting instructions

1. Secure the clamping device to the routing frame using the clamp rods.
2. Roughly adjust the clamping device according to rebate construction and fix in place with fastening screws.
3. Clamp routing frame to workpiece with clamping wheel.
4. Insert template and roughly adjust using the standard values given for rail and angle.
5. Carry out fine adjustment using spindles.

Scope of supply

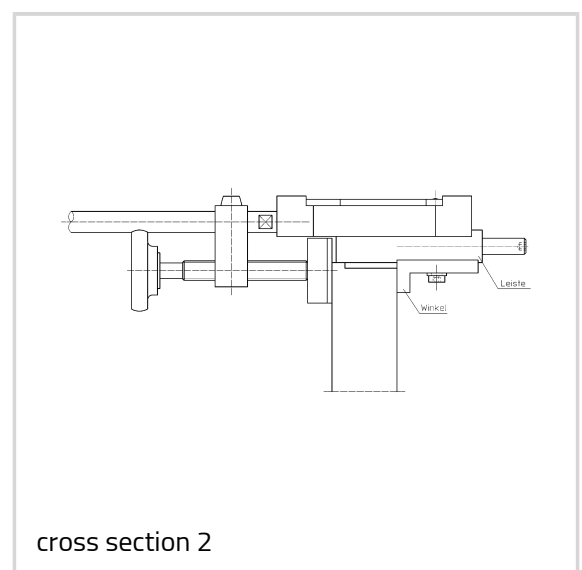
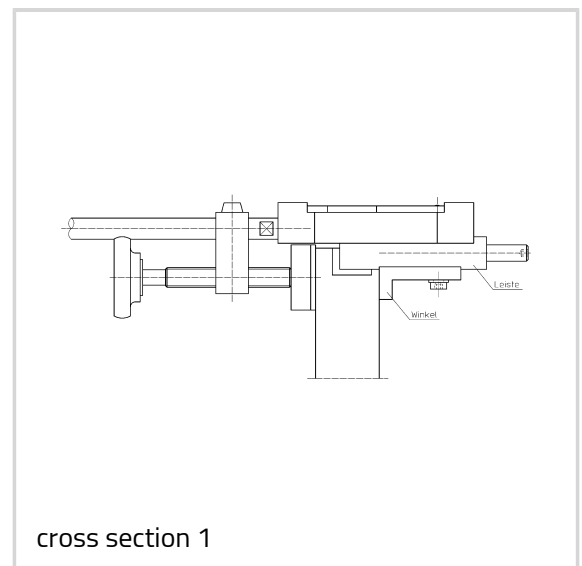
- 1 x universal frame
- 1 x clamping device

Note

Templates need to be ordered separately.

Item

Finish(es)	without (000)
VPE	pack of 1
DIN	DIN right and left hand
Item No.	5 250930 0 00001



Universal milling frame

EAN

4015471041427

