

TE 626 3D A8

made of solid stainless steel for unrebated high performance heavy-duty doors with claddings up to 8 mm on both sides



Product features

- material stainless steel
- cladding up to 8 mm
- completely concealed hinge system
- for timber, steel or aluminium frames
- for unrebated heavy-duty doors
- sideways closed hinge body for a homogeneous mortise appearance
- with comfortable 3D adjustment (side +/- 3,0 mm, height +/- 3,0 mm, compression +/- 1,0 mm)
- maintenance-free slide bearings

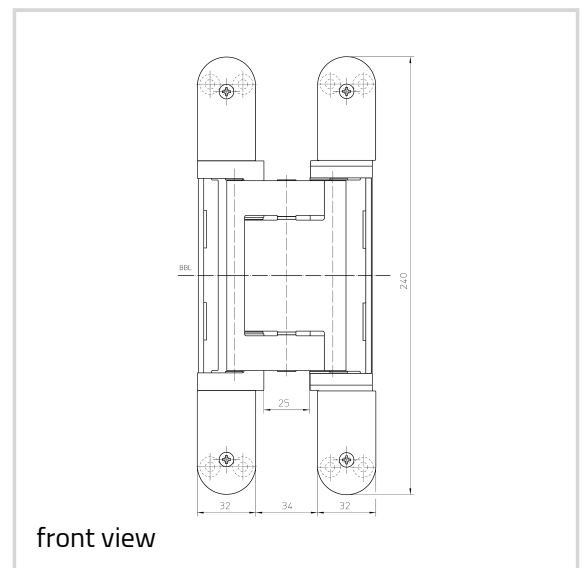
Technical details

Attributes	Value
Load capacity	300,0 kg
Overall length	240,0 mm
Width (door part)	32,0 mm
Width (frame part)	32,0 mm
Cutter diameter	24,0 mm
Collar ring diameter	30,0 mm
Opening angle	180°

Quality marks



Certification UL



TECTUS - TE 626 3D A8

Note

The load capacity mentioned above refers to two hinges per door leaf (1 x 2 m). Also the load capacities of the respective combined receiver have to be taken into consideration. For detailed information please look at the chapter "technical information".

With an opening position of 180° the door may have to be fixed additionally.

Combinations

TE 640 3D FZ
TE 640 3D A8 SZ
TE 640 3D ST

Function range



burglar resistance



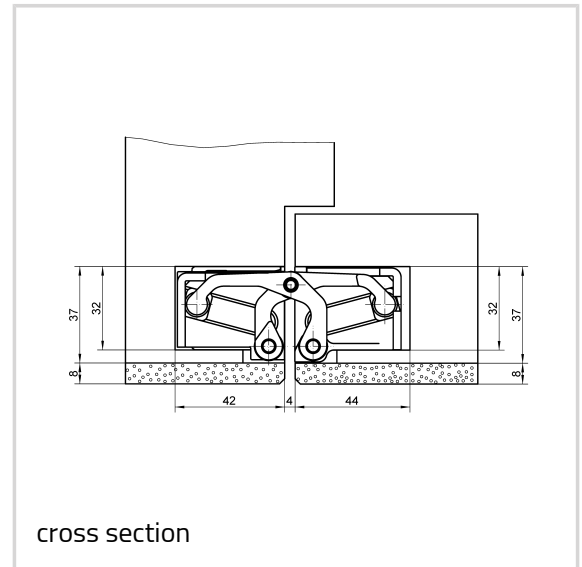
fire resistance



smoke resistance



soundproof



Item

Finish(es)	Satin Stainless Steel (040)
OF-NR.	040
VPE	pack of 2
DIN	DIN right and left hand
Item No.	5 400675 0 04002
EAN	4015471123550