

KCM 50

closing magnet for a contactless and silent closing process of glass and timber doors



Product features

- continuous adjustable retention force up to 50 N
- for use in timber, steel and aluminium frames

Technical details

Attributes	Value
Overall length	195,0 mm
Overall width	13,0 mm
Cutter diameter	12,0 mm
Collar ring diameter	30,0 mm

Suitable for

Universal milling frame

Template 5 251148 5

Template 5 251149 5

step 1

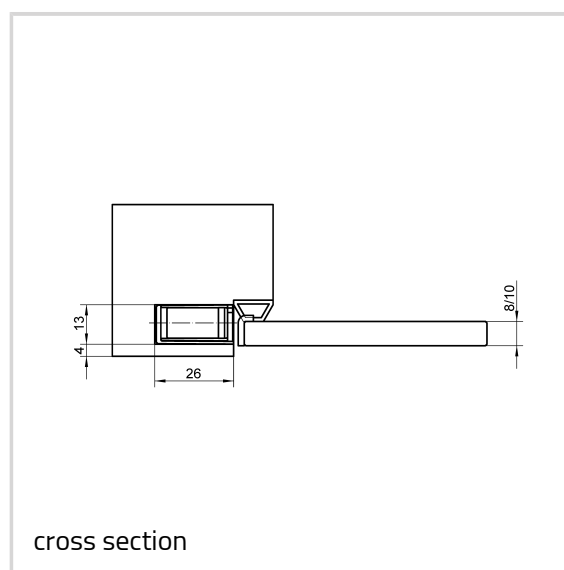
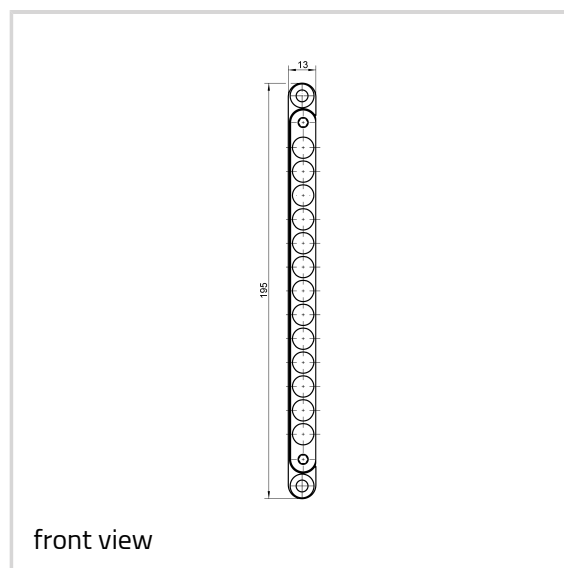
step 2

Combinations

KCH 1200

KCH 1700

KCM 50/G



KEEP CLOSED - KCM 50

KCM 50/H
KCM 50/H FZ
KCM 50 FZ

Item

Finish(es)	Stainless Steel Effect (130)
OF-NR.	130
VPE	pack of 1
DIN	DIN right and left hand
Item No.	5 170855 0 13001
EAN	4015471130947
Finish(es)	Stainless Steel Effect (130)
OF-NR.	130
VPE	pack of 10
DIN	DIN right and left hand
Item No.	5 170855 0 13006
EAN	4015471131111
Finish(es)	Stainless Steel Effect (130)
OF-NR.	130
VPE	pack of 1 - airfreight
DIN	DIN right and left hand
Item No.	5 170855 0 13052
EAN	4015471133092
Finish(es)	Stainless Steel Effect (130)
OF-NR.	130
VPE	pack of 10 - airfreight
DIN	DIN right and left hand
Item No.	5 170855 0 13053
EAN	4015471133108