

TEG 310 2D 80

for flush glass doors

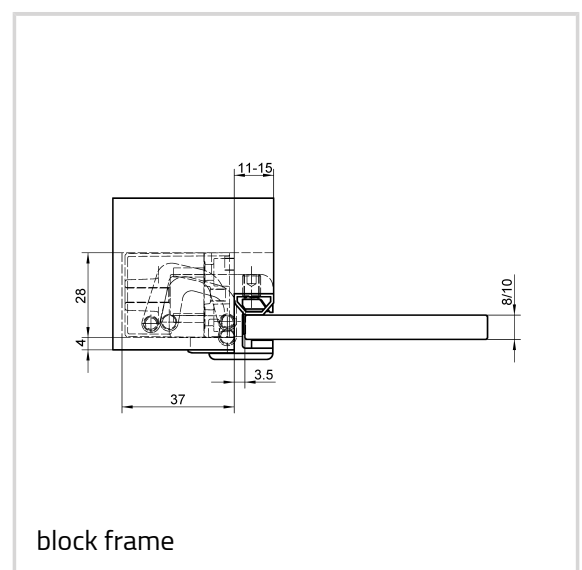
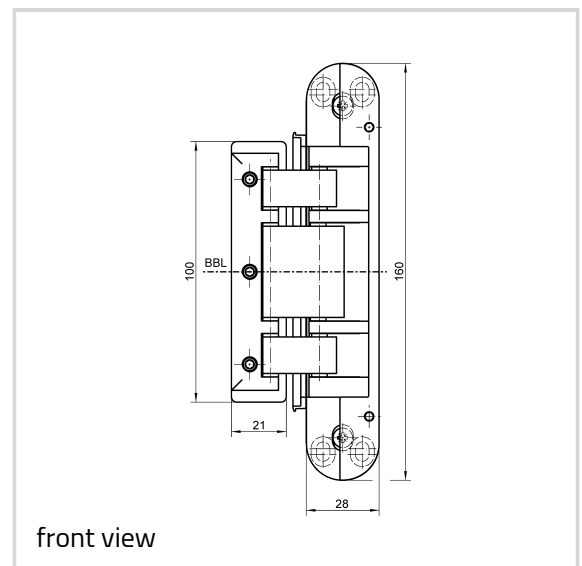


Product features

- for flush glass doors
- for 8-10 mm ESG-glass
- tested for interior rooms up to 50°C ambient temperature
- without drilling the door leaf
- for timber, steel or aluminium frames
- continuous side adjustment (+ 3,0/- 2,0 mm)
- continuous height adjustment with additional fine tune adjustment (+/- 1,0 mm)
- maintenance-free slide bearings
- rebate width 11-15 mm

Technical details

Attributes	Value
Load capacity	80,0 kg
Overall length	160,0 mm
Width (frame part)	28,0 mm
Cutter diameter	24,0 mm
Collar ring diameter	30,0 mm
Opening angle	180°



TECTUS - TEG 310 2D 80

Note

The load capacity mentioned above refers to the use of 2 hinges per door leaf (1 x 2 m), for detailed information please look at the chapter "technical information".

With an opening position of 180° the door may have to be fixed additionally.

Suitable for

Universal milling frame

Template 5 251145 5 step 1

Template 5 251146 5 step 2

Template 5 251147 5 step 3

Combinations

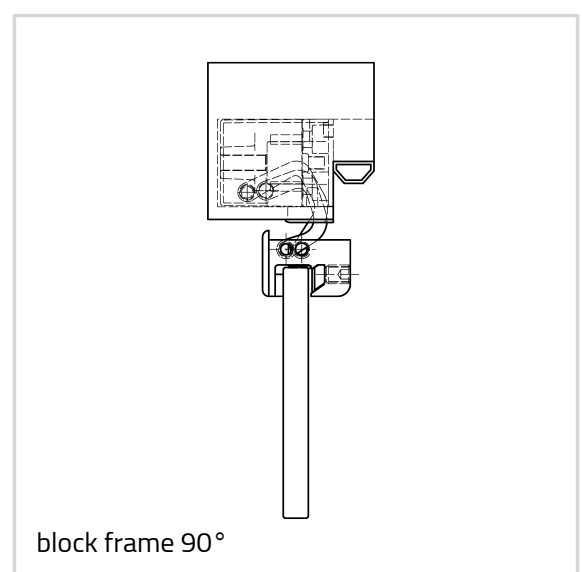
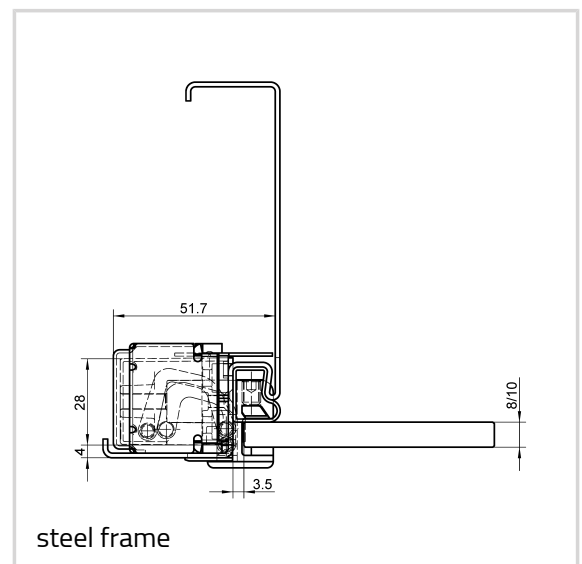
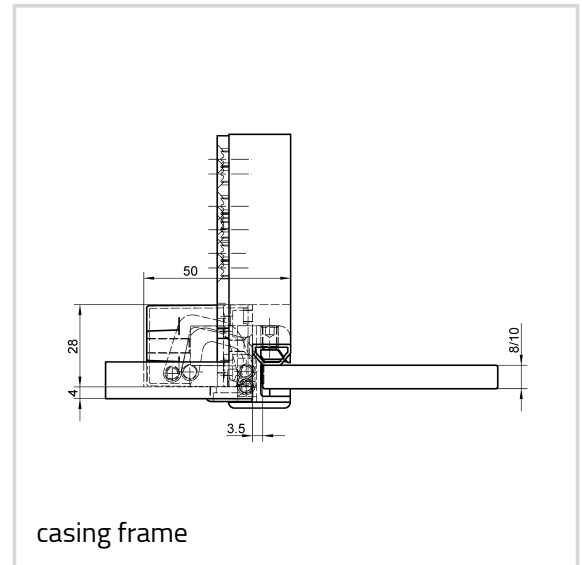
TE 340 3D FZ
TEG 310 2D SZ

Item

Finish(es)	Satin Stainless Steel (040)
OF-NR.	040
VPE	pack of 2
DIN	DIN right and left hand
Item No.	5 400726 0 04002
EAN	4015471133061

Finish(es)	RAL 9016 Matte Traffic White (057)
OF-NR.	057
VPE	pack of 2
DIN	DIN right and left hand
Item No.	5 400726 0 05702
EAN	4015471133078

Finish(es)	RAL 9005 Matte Black (107)
OF-NR.	107
VPE	pack of 2



TECTUS - TEG 310 2D 80

DIN	DIN right and left hand
Item No.	5 400726 0 10702
EAN	4015471134358

Finish(es)	Satin Chrome Look (F1) (124)
OF-NR.	124
VPE	pack of 2
DIN	DIN right and left hand
Item No.	5 400726 0 12402
EAN	4015471134341

Finish(es)	Matte Pure Grey/NCS S 8000-N (301)
OF-NR.	301
VPE	pack of 2
DIN	DIN right and left hand
Item No.	5 400726 0 30102
EAN	4015471133085

