

ALPRO®

The hinge system for aluminium and steel doors



INDEX

ALPRO® – The hinge system for aluminium and steel doors

		Aluminium and stainless steel
5	Aluminium door hinge	for inward-opening doors
6	Stainless steel door hinge	for inward-opening doors
7	Stainless steel door hinge	for outward-opening doors

		TECTUS®
8	TE 712 3D	for inward-opening aluminium doors with 3D adjustment
9	TE 732 3D	for inward and outward-opening aluminium doors with 3D adjustment

10	Service	
----	---------	--

ALPRO® – SYSTEMATIC, VARIABLE, SOLUTION-ORIENTATED

The hinge system for aluminium and steel doors offers individual hinge solutions for aluminium, steel and stainless steel cavity chamber systems based on proven heavy-duty hinge technology.

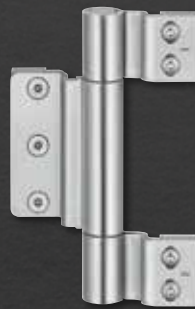
In addition to a modern and slim knuckle design, these hinges are particularly characterised by a high level of functionality, comfortable 2D and 3D adjustability and stable installation. For flush interior solutions, SIMONSWERK also has a concealed hinge system from the TECTUS product brand, which has been developed specifically for this type of use.

ALPRO® – ADVANTAGES AT A GLANCE

- › 2D or 3D adjustment
 - › maintenance-free slide bearing technology
 - › hinges made from aluminium and stainless steel
 - › also available as completely concealed hinge solution from the TECTUS brand
-



ALPRO® Aluminium
the aluminium knuckle hinge system
for aluminium and steel doors



ALPRO® Stainless steel
the stainless steel knuckle hinge system
for aluminium and steel doors



TECTUS®
the completely concealed
hinge system for aluminium doors
with 3D adjustment

HINGE SYSTEMS FOR CAVITY CHAMBER SYSTEMS

Stability under maximum loads

Heavy doors as well as very high and very wide doors place high demands on the stability of modern door hinges. Characteristic of SIMONSWERK, the three-part hinge design with high-quality, maintenance-free slide bearings enables optimal force absorption – even under the highest loads. To meet relevant safety requirements, steel and stainless steel hinge solutions are also supplied for installation on fire and smoke resistant doors. Technical data such as load capacity and knuckle diameter are dependent on the respective profile geometry and material and are individually calculated for each individual case.

Various finishes and materials

High-quality materials and aluminium alloys provide the basis for long-lasting, smooth functioning along with a perfect appearance. Stainless steel and various aluminium surfaces such as anodised colours and powder coatings ensure an exceptional appearance.

INDIVIDUAL SOLUTIONS

We can develop individual solutions for specific requirements. If necessary, please contact the application technology department, which can be reached via e-mail at service@simonswerk.de.



ALPRO® Aluminium

ALPRO®

Example illustration



Aluminium door hinge

for inward-opening doors

Adjustment options

side adjustment	spindle technology
height adjustment	slot guide
	optionally with height adjustment block

- comfortable adjustment option without the need to detach or wedge the door
- no knuckle offset following adjustment
- high stability due to solid hinge knuckle
- high load capacity
- maintenance-free slide bearing technology
- efficient processing with dimensionally accurate drilling jigs
- installation and processing with a single tool

Finishes

Anodised aluminium colours, powder-coated

Example illustration



Aluminium door hinge

for inward-opening doors

Adjustment options

side adjustment	spacer plate technology
height adjustment	slot guide
	height adjustment block with set screw

- comfortable adjustment option without the need to detach or wedge the door
- no knuckle offset following adjustment
- high stability due to solid hinge knuckle
- high load capacity
- maintenance-free slide bearing technology
- efficient processing with dimensionally accurate drilling jigs
- installation and adjustment with a minimum of tools
- integrated security pin

Finishes

Anodised aluminium colours, powder-coated

ALPRO®

Stainless steel door hinge

for inward-opening doors

Adjustment options

side adjustment	spacer plate technology
height adjustment	slot guide optionally with height adjustment block

- comfortable adjustment option without the need to detach or wedge the door
- no knuckle offset following adjustment
- high stability due to solid hinge knuckle
- high load capacity
- maintenance-free slide bearing technology
- efficient processing with dimensionally accurate drilling jigs
- installation and adjustment with a minimum of tools

Finishes

satin stainless steel, polished stainless steel



Example illustration

Stainless steel door hinge

for inward-opening doors

Adjustment options

side adjustment	spindle technology
height adjustment	internal eccentric socket screw adjustment

- comfortable adjustment option without the need to detach or wedge the door
- no knuckle offset following adjustment
- high stability due to solid hinge knuckle
- high load capacity
- maintenance-free slide bearing technology
- efficient processing with dimensionally accurate drilling jigs
- installation and adjustment with a minimum of tools

Finishes

satin stainless steel, polished stainless steel



Example illustration

Example illustration



Stainless steel door hinge

for outward-opening doors

Adjustment options

side adjustment	spindle technology
height adjustment	slot guide with height adjustment block

- comfortable adjustment option without the need to detach or wedge the door
- no knuckle offset following adjustment
- high stability due to solid hinge knuckle
- high load capacity
- wartungsfreie Gleitlagertechnik
- maintenance-free slide bearing technology
- installation and adjustment with a minimum of tools

Finishes

satin stainless steel, polished stainless steel
powder-coated steel, galvanized steel

Example illustration



Stainless steel door hinge

for outward-opening doors

Adjustment options

side adjustment	spacer plate technology
height adjustment	internal eccentric socket screw adjustment

- comfortable adjustment option without the need to detach or wedge the door
- no knuckle offset following adjustment
- high stability due to solid hinge knuckle
- high load capacity
- maintenance-free slide bearing technology
- efficient processing with dimensionally accurate drilling jigs
- installation and adjustment with a minimum of tools

Finishes

satin stainless steel, polished stainless steel

ALPRO®

TE 712 3D

for inward-opening aluminium doors with 3D adjustment

Door hinge	aluminium profile
------------	-------------------

Product features

- completely concealed hinge system
- for aluminium profile systems
- for rebated and flush doors – inward-opening
- maintenance-free slide bearing technology
- 3D adjustable
- easy to hang and remove door

Finishes

other finishes available upon request

Note

TECTUS TE 700 series hinge systems are system-specific hinge types, which are developed in close collaboration between profile suppliers and SIMONSWERK. Profile combinations vary accordingly, meaning that specific hinge variants are necessary. Therefore, exact details of the respective profile combinations must be provided upon submitting an enquiry. The maximum opening angle varies according to profile geometry. Minimum batch size = 100 units.



Example illustration

TE 713 3D

for outward-opening aluminium doors with 3D adjustment

Door hinge	aluminium profile
------------	-------------------

Product features

- completely concealed hinge system
- for aluminium profile systems
- for rebated and flush doors – outward-opening
- maintenance-free slide bearing technology
- 3D adjustable
- easy to hang and remove door

Finishes

Finishes available upon request

Note

TECTUS TE 700 series hinge systems are system-specific hinge types, which are developed in close collaboration between profile suppliers and SIMONSWERK. Profile combinations vary accordingly, meaning that specific hinge variants are necessary. Therefore, exact details of the respective profile combinations must be provided upon submitting an enquiry. The maximum opening angle varies according to profile geometry. Minimum batch size = 100 units.



Example illustration

ALPRO®

Example illustration



TE 732 3D

for inward and outward-opening aluminium doors with 3D adjustment

Door hinge	aluminium profile	up to 120 kg
------------	-------------------	--------------

Product features

- completely concealed hinge system
- for aluminium profile systems
- for rebated and flush doors – inward and outward-opening
- maintenance-free slide bearing technology
- 3D adjustable (side +/- 3.0 mm, height +/- 3.0 mm, compression +/- 1.0 mm)

Technical details

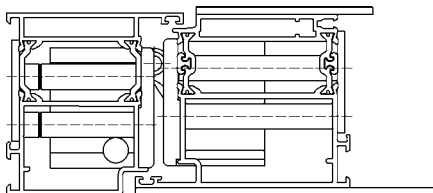
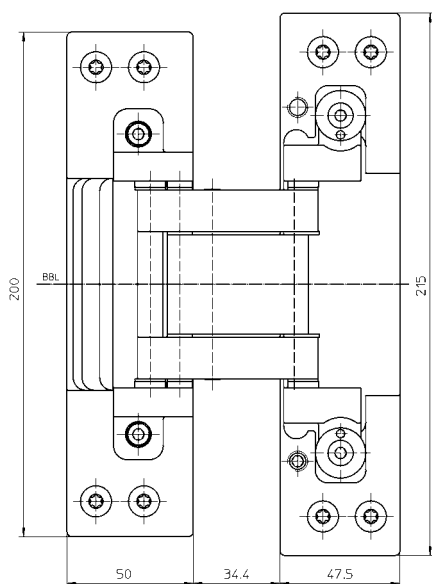
load capacity	i 2 hinges per door (1x2 m)	120,0 kg
length (frame)		215,0 mm
length (door)		200,0 mm
width (frame)		47,5 mm
width (door)		50,0 mm
cutter diameter		12,0 mm
opening angle		180°

Finishes

Finishes available upon request

Note

i The load capacity mentioned above refers to two hinges per door leaf (1x2 m). TECTUS TE 700 series hinge systems are system-specific hinge types, which are developed in close collaboration between profile suppliers and SIMONSWERK. Profile combinations vary accordingly, meaning that specific hinge variants are necessary. Therefore, exact details of the respective profile combinations must be provided upon submitting an enquiry. Minimum batch size = 100 units.



SERVICE – COMPREHENSIVE EXPERTISE FOR YOUR DAILY WORK

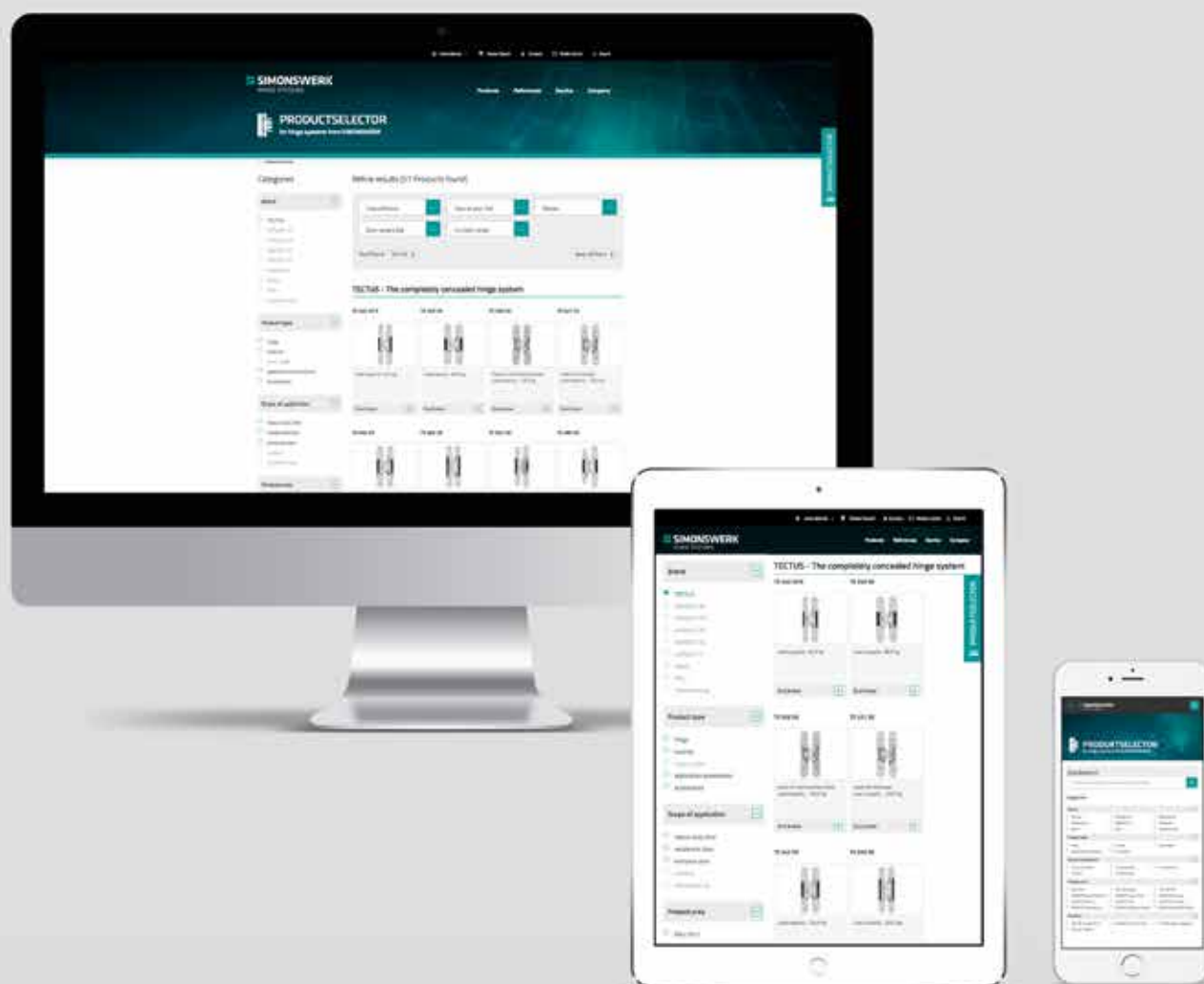
We are happy to provide you with all the documentation you need to calculate which is the most suitable hinge system for your requirements. Please contact us: we would be delighted to work with you to choose the best solution – from high-quality standard sets right up to the most complex solutions.

Alternatively, visit www.simonswerk.com to try out our optimised PRODUCTSELECTOR, which instantly provides you with all information you may require on the selected hinge system. Advanced search options, such as scope of application or function range, product, door leaf, rebate, frame version or entering the door weight, enable structured and precise searching to take place. With just a few clicks you can find all the relevant product descriptions.

Printed copies of all brochures, certificates and declarations of performance can be requested or PDF versions can be downloaded directly from our media centre. A number of installation videos are also available.

We can develop individual solutions for specific requirements. Our friendly and knowledgeable application engineers will be pleased to help you – including on-site.

www.simonswerk.com



VISIT OUR PRODUCTSELECTOR

Whether you are a manufacturer, trade partner or designer, at www.simonswerk.com you can find precise, detailed product descriptions that will help you to choose the most suitable hinge systems.

CONTAINS

ALPRO®	TECTUS®
Aluminium door hinge	TE 712 3D
Stainless steel door hinge	TE 732 3D

PLEASE VISIT THE PRODUCTSELECTOR AT
www.simonswerk.com



SIMONSWERK GmbH

Bosfelder Weg 5
33378 Rheda-Wiedenbrück
Germany

Fon +49 (0)5242/413-0
Fax +49 (0)5242/413-150

info@simonswerk.de
www.simonswerk.com

